



HARDY

MADE IN LIVERPOOL



HARDY UK LIMITED
PRODUCT RANGE

MADE IN LIVERPOOL

OUR WAY FOR OVER 160 YEARS

WE CAN HAVE AN ORDER PLACED,
PACKAGED AND SHIPPED IN THE SAME DAY

Since 1854, our company has remained at the forefront of evolving technology in blade design and manufacture for the global leather industry. The legacy of this pursuit is the quality inherent in our comprehensive range of blades for leather shaving, fleshing and splitting.



SHAVING BLADES ENDURING PRECISION EXCEPTIONAL YIELD

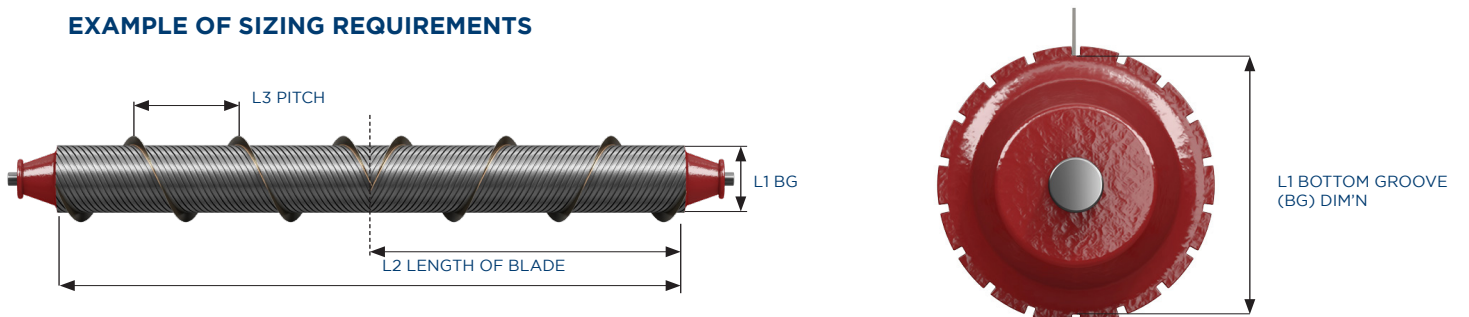
USE

Available as standard in 2.1mm and 2.5mm thickness, these blades will work for all your wet and dry leather shaving. We make blades for every brand of shaving machine, usually available from our extensive stock, which can be quickly and easily dispatched.

COMPATIBLE MACHINES INCLUDE...

Alpe, Aletti, Chuan Ho, Cope, Enko, Flamar, Goldfield, Gozzini, Hu Zhou Erqing, Kovo, Krause, Liedl Lana, Lo Stampo, Maq-Cuer, MercierTurner, Mosconi, Özderson, Poletto, Polvara, Rizzi, RM, Sangkok, Seiko, Stehling, Svit, Traud, Tre-P, Vardar.

EXAMPLE OF SIZING REQUIREMENTS





FLESHING BLADES

TOUGH, DURABLE
AND PRECISE

100% CONFIDENT IN OUR PEOPLE
AND OUR PROCESS

USE

Designed for use on a full range of fleshing machines, we provide the most comprehensive range of fleshing blades in thicknesses of 2.5mm, 3.2mm and 4mm.

COMPATIBLE MACHINES INCLUDE...

Aletti, Bremm Peck, Chuan Ho, CM Tannery Machines, Exeter, Flamar, Gozzini, Hu Zhou Erqing, Mercier, Liedl Lana, Moenus Turner, Mosconi, Özdersan, Persico, Poletto, Polvara, Rizzi, RM, Stehling, Svit, Vardar.

ANCILLARY PRODUCTS

HARDY APPROVED
HIGH QUALITY RANGE



COPPER CAULKING

- Available in 25kg or 50kg rolls, in a variety of sizes and grades.
- Gives you complete control over the grade of copper used for caulking.



GRINDING WHEELS AND BRICKS

- We stock a full range of recommended wheels and bricks for all machines.
- They're matched to the Hardy range of blades to optimise enduring performance and ensure the ongoing condition of the blades.

CUTTING EDGE
PRECISION BLADES
MADE IN LIVERPOOL



HARDY

MADE IN LIVERPOOL

**CONTACT
HARDY UK LIMITED**

t: +44 (0) 151 922 2291
e: sales@hardy.uk.com
f: +44 (0) 151 933 4164

175 Fernhill Road
Bootle, Liverpool
L20 9DU, UK

w: hardy.uk.com

Part of the Fi-Tech Inc. group